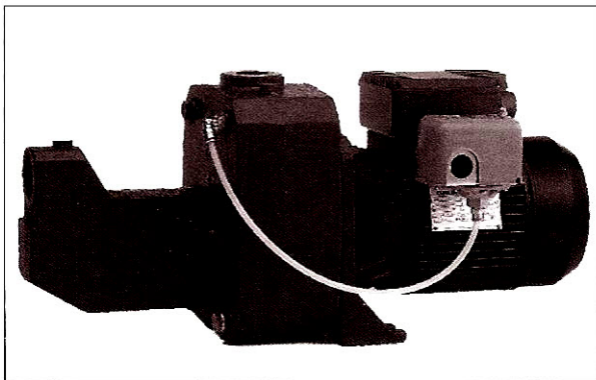
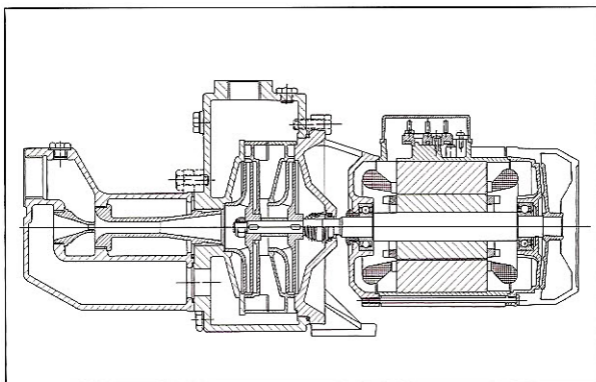


JPF 5A, 7A Convertible*



* Available in Canada



Materials: JPF 5A, 7A Convertible

Descriptions	Material
Motor Stool	Cast Iron
Shaft Seal	Carbon/Ceramic/NBR
Motor Shaft	Stainless Steel AISI 303
O-Rings & Gaskets	NBR
Base Plate	Cast Iron
Pump housing	Cast Iron
Impellers	Noryl©
Tubing	Polyethylene
Diffuser	Noryl©
Venturi Tube and Nozzle	Noryl©

Note: Noryl© is a registered trademark of General Electric Company