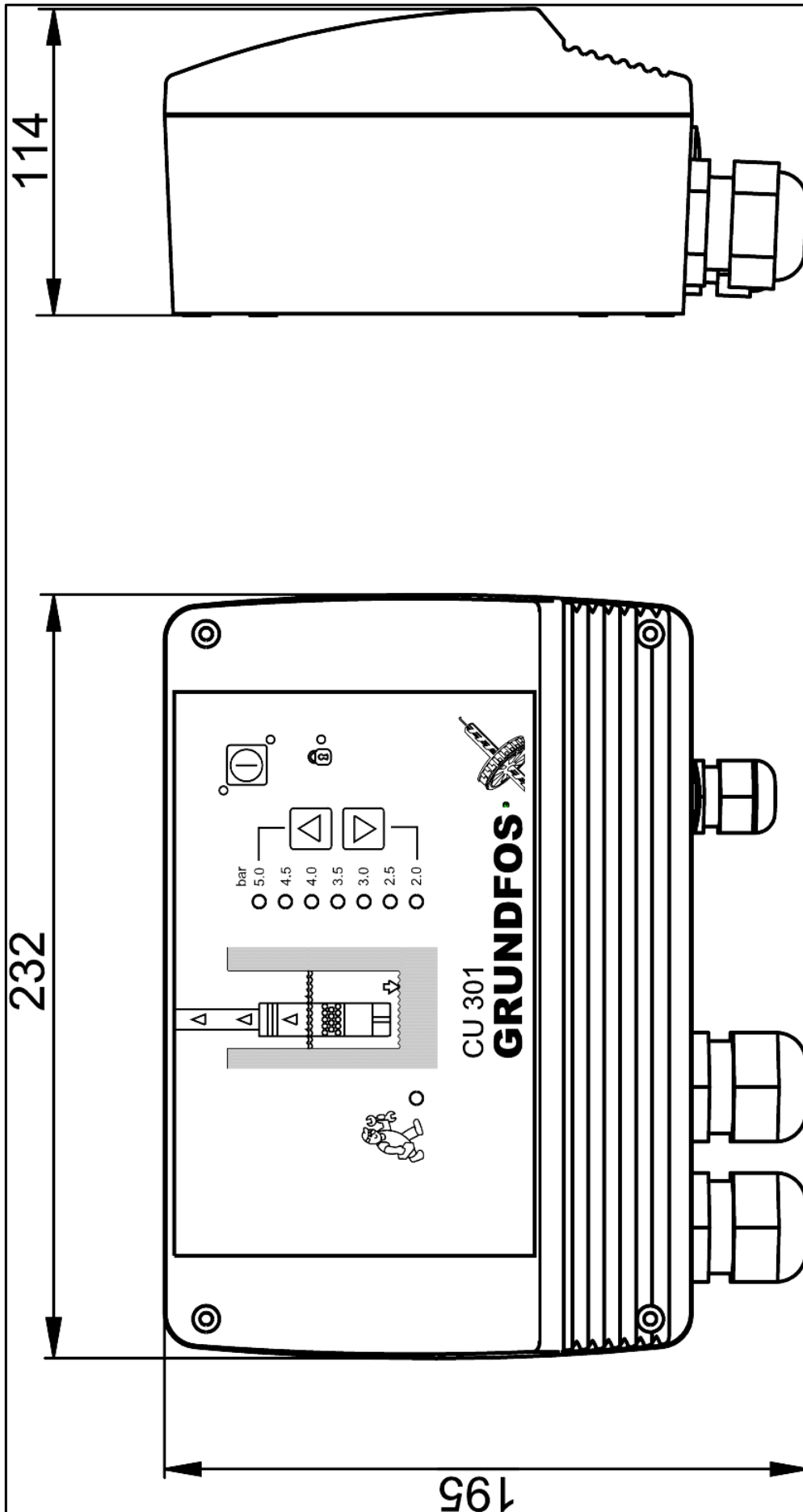


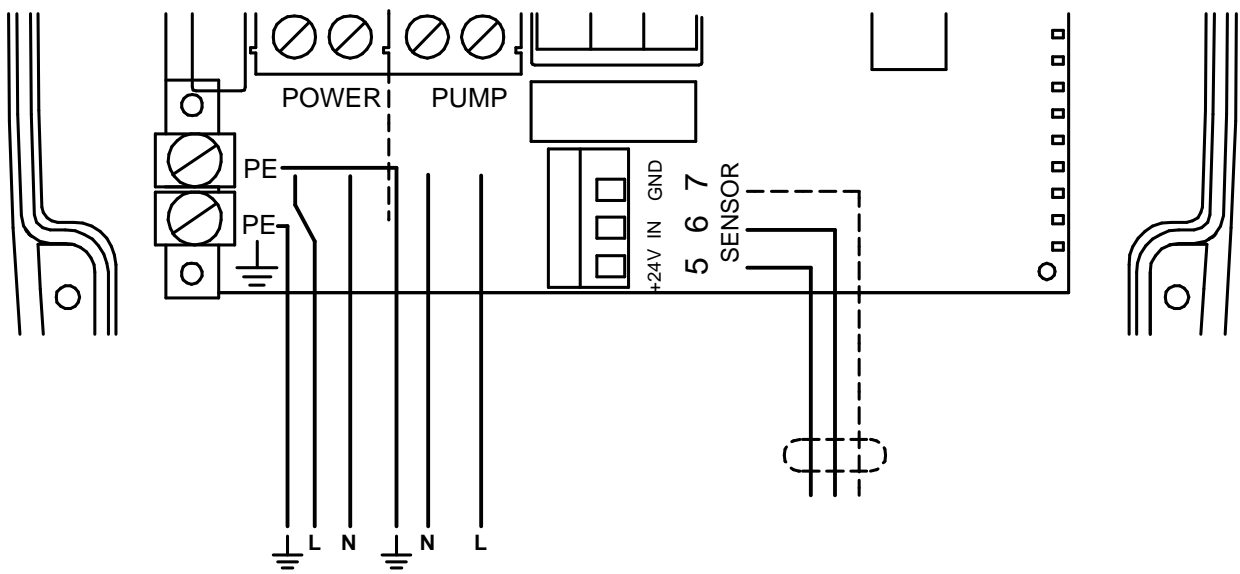
Position	Count	Description	Unit price
	1	<p>CU 301 Product No.: 96436754 The CU 301 control unit has been developed for the SQE submersible pumps.</p> <p>The CU 301 enables: -constant-pressure control on the basis of one sensor signal, -setting of system pressure and -monitoring of operation and alarm indication.</p> <p>The CU 301 communicates with the pump via the pump cable which means that there is no need for extra cabling between the CU 301 and the pump.</p> <p>Electrical data: Mains frequency: 60 Hz Rated voltage: 1 x 100-240 V</p>	\$ 452.00

96436754 CU 301



All units are [mm] unless otherwise presented.

96436754 CU 301



All units are [mm] unless otherwise presented.