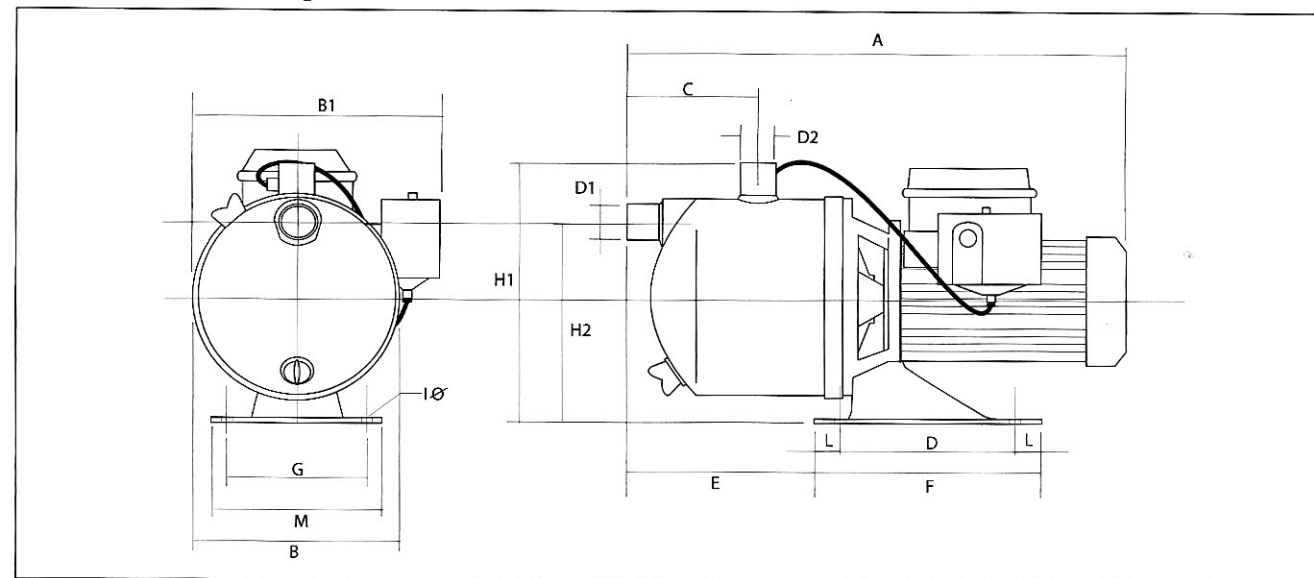


## Dimensional Drawings



## Dimensions and Weights

Pump Type	Motor Data				D1 Suction NPT	D2 Disch. NPT	Dimensions (inches)										Ship Wt. (lbs)	Ship Vol. (Cu Ft.)	
	HP	S.F.	PH	Volts			A	B	B1	C	E	F	G	H1	H2	L			IØ
JPS2A	1/2	1.6	1	115 or 230	1"	1"	14.8	7.5	9.3	3.7	4.8	7.1	4.3	9.1	7.0	0.83	0.42	24	1.5
JPS4A	1	1.6	1	115 or 230	1"	1"	15.6	7.5	9.3	3.7	4.8	7.1	4.3	9.1	7.0	0.83	0.42	31	1.5

## Shallow Well Performance Chart

Model	HP	Depth to Water	Discharge Pressure (PSI)							Shut-off (PSI)	Pressure Switch Settings (PSI)
			20	30	35	40	45	50	55		
			Capacities (U.S. gpm)*								
JPS2A	1/2	5	15	13	11	8	6	4	2	62	30-50
		10	14	12	10	7	5	3	1	59.5	
		15	13	11	9	6	4	2		57	
		20	10	10	8	5	3	1		54.5	
		25	8	8	7	4	2			52	
JPS4A	1	5	30	27	22	17	14	10	7	68	30-50
		10	26	23	21	16	13	9	6	65.5	
		15	22	21	20	15	12	8	5	63	
		20	18	17	16	14	11	7	4	60.5	
		25	14	13	13	12	11	6	3	58	

\* Capacities given are for near-sea level installations.