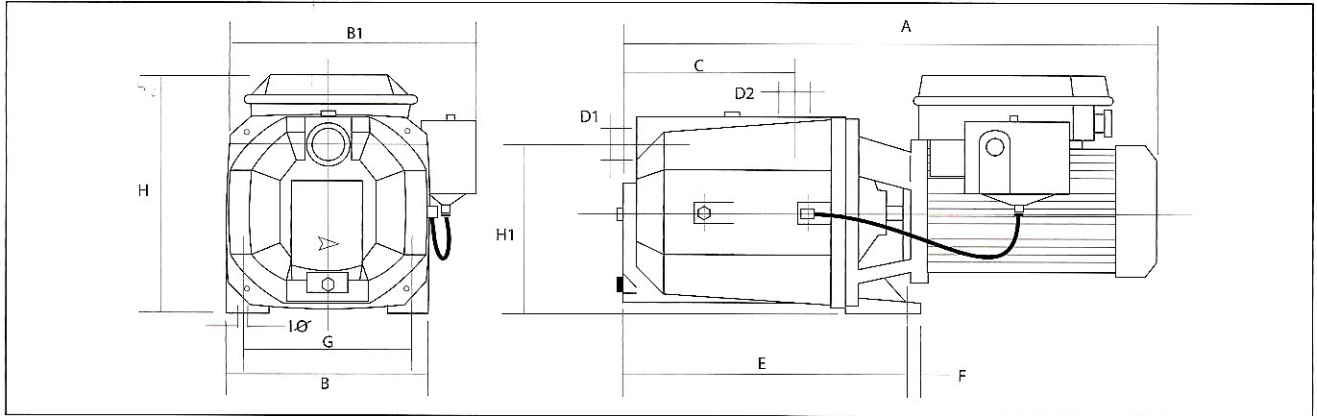


## Dimensional Drawings



## Dimensions and Weights

Pump Type	Motor Data				D1 Suction NPT	D2 Disch. NPT	Dimensions (inches)										Ship Wt. (lbs)	Ship Vol. (Cu Ft.)
	HP	S.F.	PH	Volts			A	B	B1	C	E	F	G	H	H1	IØ		
JPF2A	1/3	1.75	1	115 or 230	1"	1"	16.2	7.1	9.1	5.5	8.9	0.6	5.5	8.5	6.0	0.38	35	1.5
JPF3A	1/2	1.6	1	115 or 230	1"	1"	16.2	7.1	9.1	5.5	8.9	0.6	5.5	8.5	6.0	0.38	36	1.5
JPF4A	3/4	1.5	1	115 or 230	1"	1"	17.3	7.1	9.1	5.5	8.9	0.6	5.5	8.5	6.0	0.38	41	1.5
JPF41A	1	1.4	1	115 or 230	1"	1"	17.3	7.1	9.1	5.5	8.9	0.6	5.5	8.5	6.0	0.38	43	1.5

## Shallow Well Performance Chart

Model	HP	Depth to Water	Discharge Pressure (PSI)							Shut-off (PSI)	Pressure Switch Settings (PSI)
			20	30	35	40	45	50	55		
			Capacities (U.S. gpm)*								
JPF2A	1/3	5	11	7	6	4	3	2		58	20-40
		10	10	7	6	4	3	2		56.5	
		15	9	7	6	4	3	2		54	
		20	7	6	5	4	3	2		51.5	
		25	5	4	3	2	1			49	
JPF3A	1/2	5	12	11	11	10	7	6	4	73.5	30-50
		10	10.5	10	10	9.5	7	6	4	71	
		15	9	8.5	8	8	7	6	4	68.5	
		20	7.5	7	7	7	6.5	6	4	66	
		25	5	5	5	5	4.5	4	4	63.5	
JPF4A	3/4	5	15	14	14	13	10	8.5	6	75.5	30-50
		10	13	12.5	12.5	12	10	8.5	6	73	
		15	11	11	10	10	10	8	6	70.5	
		20	9	9	9	8.5	8	7	6	68	
		25	6	6	6	6	5	5	5	65.5	
JPF41A	1	5	21	20.5	20	20	20	19	17.5	86.5	40-60
		10	19	18.5	18	18	17.5	17.5	17	84	
		15	16	16	16	15.5	15	15	14.5	81.5	
		20	13.5	13.5	13.5	13	13	12.5	12	79	
		25	10	10	10	9.5	9	9	8.5	76.5	

\* Capacities given are for near-sea level installations.