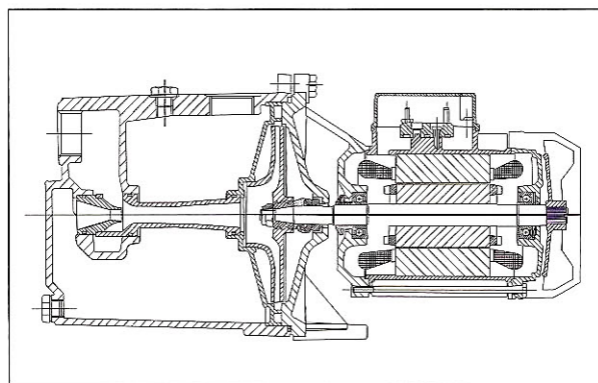
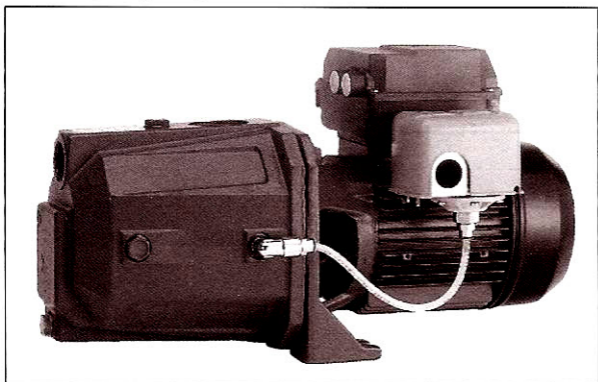


## JPF 2A, 3A, 4A, 41A Shallow Well



### Materials: JPF 2A, 3A, 4A, 41A Shallow Well

Descriptions	Material
Motor Stool	Cast Iron
Shaft Seal	Carbon/Ceramic/NBR
O-Rings & Gaskets	NBR
Base Plate	Cast Iron
Pump Housing	Cast Iron
Impeller	Noryl©
Motor Shaft	Stainless Steel AISI 416
Tubing	Polyethylene
Diffuser	Noryl©
Venturi Tube and Nozzle	Noryl©

Note: Noryl© is a registered trademark of General Electric Company