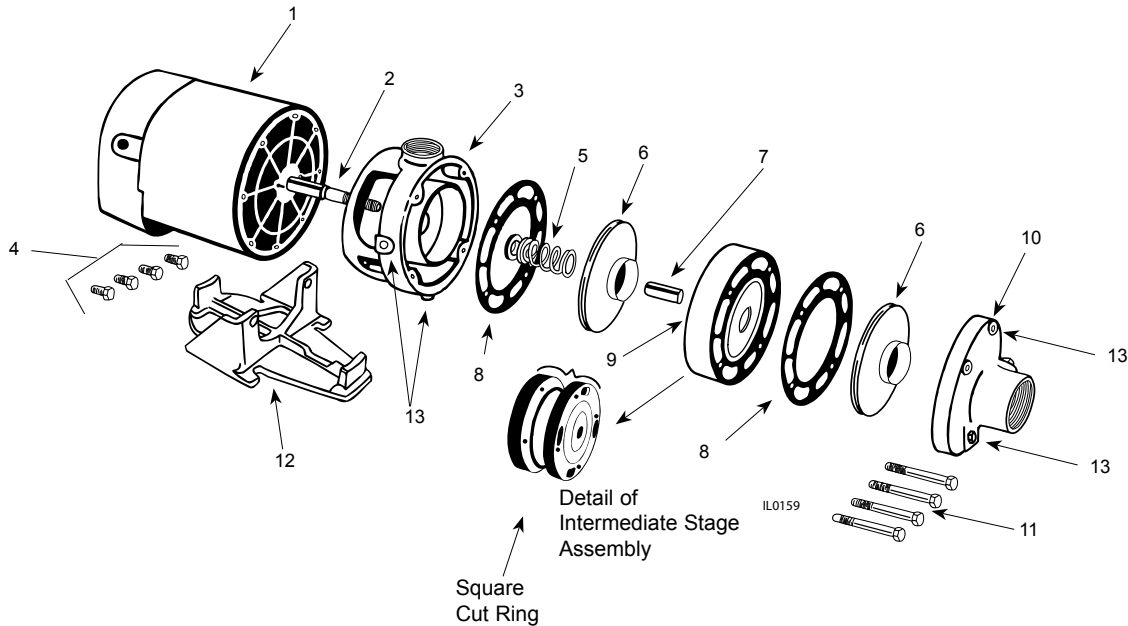


## CENTRIFUGAL PUMP REPAIR PARTS "CJ101" SERIES (For Pricing Refer To Repair Parts Price List)



		HP	3/4	1	1-1/2	2	2	3
		STAGE	2	2	2	2	3	3
ITEM	SINGLE PHASE - BRASS IMPELLER	MODEL NO.	CJ101B071	CJ101B101	CJ101B151	CJ101B201	CJ101C201	CJ101C301
	THREE PHASE - BRASS IMPELLER		CJ101B073	CJ101B103	CJ101B153	CJ101B203	CJ101C203	CJ101C303
	SINGLE PHASE - PLASTIC IMPELLER		CJ101P071	CJ101P101	CJ101P151	CJ101P201	CJ101D201	CJ101D301
	THREE PHASE - PLASTIC IMPELLER		CJ101P073	CJ101P103	CJ101P153	CJ101P203	CJ101D203	CJ101D303
DESCRIPTION		PART NO.	QTY					
1	Motor, Nema J - 1 PH		98J107	98J110	98J115	98J120	98J120	98J630
1	Motor, Nema J - 3 PH		98J307	98J310	98J315	98J320	98J320	98J330
	Motor Cover w/Screws	021301R	1	1	1	1	1	1
	Screws, Cover	021302	2	2	2	2	2	2
‡	Slinger Washer	126905	1	1	1	1	1	1
2	Shaft		135279A	135279A	135279A	135279A	136612A	136612A
3	Mounting Ring	125204	1	1	1	1	1	1
4	Hex Hd. Cap Screws 3/8 x 3/4"	*	2	2	2	2	2	2
5	Seal, Rotary w/Spring	131100	1	1	1	1	1	1
6	Impeller, Brass		†135280	†135281	†126900	†126901	†139126	†136951
6	Impeller, Thermoplastic		†133425	†133427	†139180	†128472	†133427	†139104
7	Spacer, Shaft	133380	1	1	1	1	2	2
8	Gasket	130968	2	2	2	2	3	3
9	Intermediate Stage Assembly**	131239B	1	1	1	1	2	2
‡	Suction Clearance Ring	130957	1	1	1	1	2	2
‡	Hub Clearance Ring	131282	1	1	1	1	2	2
‡	Square Cut Ring Intern. Stg.	020240	1	1	1	1	2	2
10	Suction Flange Assembly	125227A	1	1	1	1	1	1
‡	Suction Clearance Ring	130957	1	1	1	1	1	1
‡	Suction Bearing	020053	1	1	1	1	1	1
11	Pump thru Bolts 3/8" x 3-1/4"	*	4	4	4	4	--	--
11	Pump thru Bolts 3/8" x 5"		--	--	--	--	4	4
12	Base w/ Bolts 3/8" x 1-1/4"	020054	1	1	1	1	1	1
13	1/4" NPT Plug	*	4	4	4	4	4	4

(\*) Standard hardware item  
 (†) For quantity required — See number of stages  
 (‡) Not shown  
 (\*\*) Includes two castings, square cut ring, suction and hub clearance ring - See Detail Drawing  
 (Δ) Kit Includes: Access Cover, Screws & Wiring Diagrams